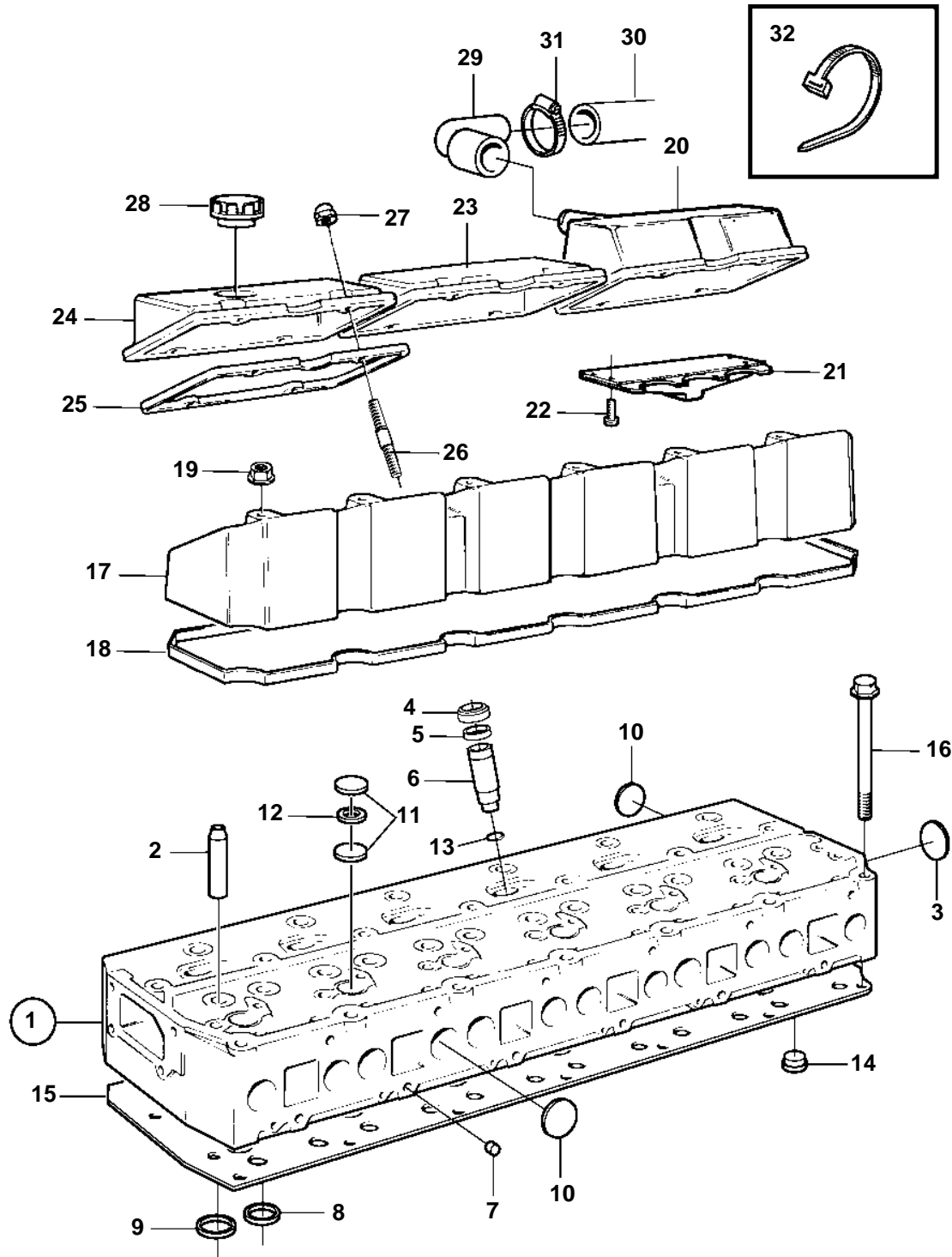


TAMD42WJ-A



TAMD42WJ-A

REF	PART NO.	QTY	DESCRIPTION	SEE SEC.	NOTES
1	861300	1	Cylinder head		SN-2204216396 REPL BY 3581554
	3581554	1	Cylinder head		SN2204216397-2042016556 REPL BY 3583900
	3583900	1	Cylinder head	SO	SN2042016557-
	3803308	1	Cylinder head, exch		Exchange unit
2	3582561	12	· Valve guide		(419653)
3	968955	1	· Expansion plug		
4	838619	6	· Steel ring		
5	838896	6	· Sealing ring		
6	861255	6	· Spray sleeve		FOR 861300
	3582429	6	· Spray sleeve		FOR 3581554
	3581536	6	· Spray sleeve		FOR 3581554
7	967853	12	· Cap plug		
8	858331	6	· Valve seat, exhaust		STD
	858332	6	· Valve seat, exhaust		OVER SIZE 0,20mm
9	860035	6	· Valve seat, inlet		STD
	860036	6	· Valve seat, inlet		OVER SIZE 0,20mm
10	477026	13	· Expansion plug		
11	967948	12	· Expansion plug		
12	949329	6	· Gasket		
13	838821	6	· O-ring		
14	465420	6	· Nozzle		
15	3583786	1	Gasket		(3582433)
16	838775	27	Screw		
17	838649	1	Valve cover		
18	838653	1	Gasket		
19	945408	4	Flange nut		
20	860541	1	Valve cover		
21		1	· Insert		
22	977771	4	· Screw		
23	838650	1	Valve cover		
24	838651	1	Valve cover		
25	838654	3	Gasket		
26	1542380	12	Stud		(953034)
27	968458	12	Nut		
28	1275403	1	Oil filler cap		
29		1	Rubber sleeve	4758	
30		X	Pipe	4758	L=670mm
31		1	Hose clamp	4758	
32		1	Strip clamp	4758	